

# DH-HAC-HFW2241TU-A-POC

## 2 MP Starlight HDCVI Fixed IR Bullet Camera



\* The parameters and datasheets below can only be applied to 2241-S2-POC series.

- Max 30 fps@1080p
- Starlight, 130 dB true WDR, 3D NR
- 3.6 mm fixed lens (6 mm, optional)
- CVI/CVBS/AHD/TVI switchable
- Super Adapt
- Built-in mic
- Max. IR length 80 m, Smart IR

IP67, PoC (only CVI)/12V±30% DC



### System Overview

PoC Series features camera powered directly by the recorder over the same coaxial cable in which video is transmitted. Dahua PoC transmission distance can reach up to 400 meters for AF cameras and 200 meters for AT cameras, that can help decrease material and installation cost and simplify the system.

### Functions

#### Starlight

With the adoption of large sized high performance sensor and large aperture lens, the camera is able to provide incomparable performance even under extreme lowlight environment. The starlight feature allows more details to be captured and accurate color to be recognized at night or in scenes with limited illumination.

#### Wide Dynamic Range

With advanced Wide Dynamic Range (WDR) technology, Dahua HDCVI camera provides clear details in the environment of strong brightness contrast. The bright and dark area can get clear video even in high brightness environment or with backlight shadow.

#### Super Adapt

Embedded with intelligent algorithm, for changing external environment, camera can automatically adjust parameters to present the optimal image, and it solves the trouble of configuration.

#### Advanced 3DNR

3DNR is noise reduction technology that detects and eliminates random noises by comparing two sequential frames. Dahua's advanced 3DNR technology allows remarkable noise reduction with little impact to sharpness, especially under limited lighting condition. Besides, the advanced 3DNR effectively decreases the band width and saves the storage space.

#### Smart Illumination

The camera is designed with IR illumination for best lowlight performance. Smart IR is a technology to ensure brightness uniformity in B/W image under low illumination. Dahua's unique Smart IR adjusts to the intensity of camera's infrared LEDs to compensate for the distance of an object, and prevents IR LEDs from overexposing images as the object come closer to the camera.

#### Protection (IP67, wide voltage)

IP67: The camera passes a series of strict test on dust and soak. It has dust-proof function, and the enclosure can works normal after soaking in 1 m deep water for 30 minutes.

Wide voltage: The camera allows ±30% (for some power supplies) input voltage tolerance (wide voltage range), and it is widely applied to outdoor environment with instable voltage.

#### Broadcast-quality Audio

Audio information is used as supplementary evidence in video surveillance applications. The HDCVI camera supports audio signal transmission over coaxial cable. In addition, it adopts unique audio processing and transmission technology that best restores source audio and eliminates noise, guaranteeing the quality and effectiveness of collected audio information.

### Technical Specification

#### Camera

Image Sensor	2 MP CMOS
Max. Resolution	1920 (H) × 1080 (V)
Pixel	2 MP
Scanning System	Progressive
Electronic Shutter Speed	PAL: 1/25 s–1/100,000 s NTSC: 1/30 s–1/100,000 s
S/N Ratio	> 65 dB
Min. Illumination	0.001 Lux/F1.6, 30 IRE, 0 Lux IR on
Illumination Distance	80m (262.5 ft)
Illuminator On/Off Control	Auto; manual
Illuminator Number	4 (IR light)
Pan/Tilt/Rotation Range	Pan: 0°–360° Tilt: 0°–90° Rotation: 0°–360°

#### Lens

Lens Type	Fixed lens				
Mount Type	M12				
Focal Length	3.6 mm; 6 mm				
Max. Aperture	F1.6				
Field of View	3.6 mm: H: 86°; V: 46°; D: 101° 6 mm: H: 54°; V: 29°; D: 63°				
Iris Type	Fixed iris				
Close Focus Distance	3.6 mm: 1.1 m (3.6 ft) 6 mm: 2.8 m (9.2 ft)				
DORI Distance	Lens	Detect	Observe	Recognize	Identify
	3.6 mm	53.7 m (176.2 ft)	21.5 m (70.5 ft)	10.7 m (35.1 ft)	5.4 m (17.7 ft)
	6 mm	88.3 m (289.7 ft)	35.3 m (115.8 ft)	17.7 m (58.1 ft)	8.8 m (28.9 ft)

#### Video

Frame Rate	CVI: PAL: 1080p@25 fps; NTSC: 1080p@30 fps; AHD: PAL: 1080p@25 fps; NTSC: 1080p@30 fps; TVI: PAL: 1080p@25 fps; NTSC: 1080p@30 fps; CVBS: PAL: 960 × 576H; NTSC: 960 × 480H
Resolution	1080p (1920 × 1080); 960H (960 × 576 / 960 × 480)
Day/Night	Auto switch by ICR
BLC	BLC/WDR/HLC
WDR	130dB

White Balance	Auto/Area WB
Gain Control	Auto; manual
Noise Reduction	3D NR
Smart IR	Yes
Mirror	Off/On
Privacy Masking	Off/On (8 area, rectangle)

#### Certifications

Certifications	CE (EN55032, EN55024, EN50130-4) FCC (CFR 47 FCC Part 15 subpartB, ANSI C63.4-2014) UL (UL60950-1+CAN/CSA C22.2 No.60950-1)
----------------	---

#### Port

Video Output	Video output choices of CVI/TVI/AHD/CVBS by one BNC port
Audio Input	One channel built-in mic

#### Power

Power Supply	POC (only CVI)/12V±30% DC
Power Consumption	Max 5.3W (12V DC, IR on) PoC (AT)

#### Environment

Operating Temperature	–40 °C to +60 °C (–40 °F to 140 °F); < 95% (non-condensation)
Storage Temperature	–40 °C to +60 °C (–40 °F to 140 °F); < 95% (non-condensation)
Protection Grade	IP67

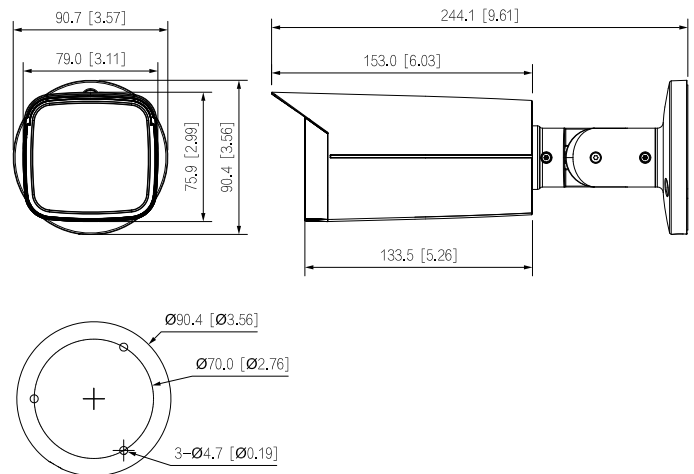
#### Structure

Casing	Metal throughout the whole casing
Camera Dimensions	244.1 mm × 79 mm × 75.9 mm (9.61" × 3.11" × 2.99")
Net Weight	0.79 kg (1.7 lb)
Gross Weight	1.06 kg (2.3 lb)

**Ordering Information**

Type	Model	Description
2 MP Camera	DH-HAC-HFW2241TUP-A-POC	2 MP Starlight HDCVI Fixed IR Bullet Camera, PAL
	DH-HAC-HFW2241TUN-A-POC	2 MP Starlight HDCVI Fixed IR Bullet Camera, NTSC
Accessories (Optional)	PFA130-E	Junction Mount
	PFA152-E	Pole Mount Bracket
	PFM321D	12V 1A Power Adapter
	PFM904	Integrated Mount Tester

**Dimensions (mm[inch])**



**Accessories**

**Optional:**



PFA130-E  
Water-proof Junction Box



PFA152-E  
Pole Mount Bracket



PFM321D  
12V 1A Power Adapter



PFM904  
Integrated Mount Tester

