

DH-HAC-HDW1200TMQ-A-POC

2MP HDCVI POC Fixed IR Quick-to-install Eyeball Camera



* The parameters and datasheets below can only be applied to 1200-S5-POC series.

- Max 30 fps@1080P.
- Quick-to-install eyeball saves installation time.
- 3.6mm fixed lens (2.8mm,6mm optional).
- CVI/CVBS/AHD/TVI switchable.
- Built-in mic.
- Max. IR length 60m, Smart IR.
- IP67, PoC (only CVI)/12V±30% DC.



Series Overview

PoC Series features camera powered directly by the recorder over the same coaxial cable in which video is transmitted. Dahua PoC transmission distance can reach up to 400 meters for AF cameras and 200 meters for AT cameras, that can help decrease material and installation cost and simplify the system.

Functions

4 Signals over 1 Coaxial Cable

HDCVI technology supports 4 signals to be transmitted over 1 coaxial cable simultaneously, i.e. video, audio*, data and power. Dual-way data transmission allows the HDCVI camera to interact with the XVR, such as sending control signal or triggering alarm. Moreover, HDCVI technology supports PoC for construction flexibility.

* Audio input is available for some models of HDCVI cameras.

Long Distance Transmission

HDCVI technology guarantees real-time transmission at long distance without any loss. It supports up to 700m transmission for 2MP/5MP/8MP HD video via coaxial cable, and up to 300m via UTP cable.

*Actual results verified by real-scene testing in Dahua's test laboratory.

Simplicity

HDCVI technology inherits the born feature of simplicity from traditional analog surveillance system, making itself a best choice for investment protection. HDCVI system can seamlessly upgrade the traditional analog system without replacing existing coaxial cabling. The plug and play approach enables high definition video surveillance without the hassle of configuring a network.

Smart Illumination

The camera is designed with IR illumination for best lowlight performance. Smart IR is a technology to ensure brightness uniformity in B/W image under low illumination. Dahua's unique Smart IR adjusts to the intensity of camera's infrared LEDs to compensate for the distance of an object, and prevents IR LEDs from overexposing images as the object come closer to the camera.

Easy Installation

HDCVI quick-to-install eyeball adopts quick-to-install pedestal, which can achieve easier installation than conventional eyeball. Quick-to-install camera reduces time and labor costs.

Broadcast-quality Audio

Audio information is used as supplementary evidence in video surveillance applications. The HDCVI camera supports audio signal transmission over coaxial cable. In addition, it adopts unique audio processing and transmission technology that best restores source audio and eliminates noise, guaranteeing the quality and effectiveness of collected audio information.

Protection (IP67, wide voltage)

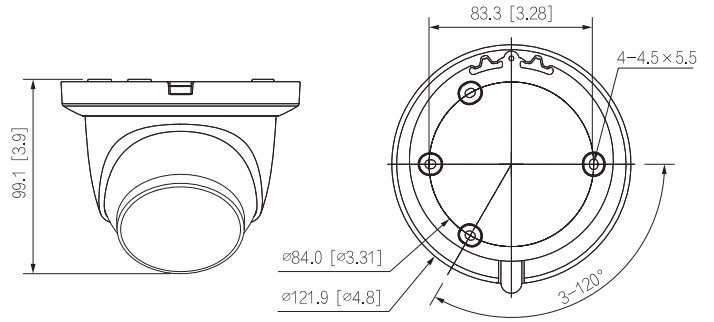
IP67: The camera passes a series of strict test on dust and soak. It has dust-proof function, and the enclosure can works normal after soaking in 1 m deep water for 30 minutes.

Wide voltage: The camera allows ±30% (for some power supplies) input voltage tolerance (wide voltage range), and it is widely applied to outdoor environment with instable voltage.

Technical Specification	
Camera	
Image Sensor	2MP CMOS
Max. Resolution	1920 (H) × 1080 (V)
Pixel	2MP
Scanning System	Progressive
Electronic Shutter Speed	PAL: 1/25 s–1/100000 s NTSC: 1/30 s–1/100000 s
S/N Ratio	> 65 dB
Min. Illumination	0.02Lux/F1.9, 30IRE, 0Lux IR on
Illumination Distance	60m (196.9 ft)
Illuminator On/Off Control	Auto; manual
Illuminator Number	2 (IR light)
Pan/Tilt/Rotation Range	Pan: 0°–360° Tilt: 0°–78° Rotation: 0°–360°
Lens	
Lens Type	Fixed lens
Mount Type	M12
Focal Length	2.8mm; 3.6mm; 6mm
Max. Aperture	F1.9
Field of View	2.8mm: D:119°, H:101°, V:54° 3.6mm: D:100°, H:84°, V:45° 6mm: D:60°, H:56°, V:30°
Iris Type	Fixed iris
Close Focus Distance	2.8mm: 0.5m (1.6 ft) 3.6mm: 0.8m (2.6 ft) 6mm: 2m (6.6 ft)
DORI Distance	2.8mm: D: 38.6m (126.6 ft); O: 15.4m (50.5 ft); R: 7.7m (25.3 ft); I: 3.9m (12.8 ft) 3.6mm: D: 49.7m (163.1 ft); O: 19.9m (65.3 ft); R: 9.9m (32.5 ft); I: 5m (16.4 ft) 6mm: D: 82.8m (271.7 ft); O: 33.1m (108.6 ft); R: 16.6m (54.5 ft); I: 8.3m (27.2 ft)
Video	
Frame Rate	CVI: 1080P@25/30fps; 720P@25/30fps; AHD: 1080P@25/30fps; 720P@25/30fps; TVI: 1080P@25/30fps; 720P@25/30fps; CVBS: 960H
Resolution	1080P (1920×1080); 720P (1280×720); 960H (960×576/960×480)
Day/Night	Auto switch by ICR
BLC	BLC/DWDR/HLC
White Balance	Auto/Area WB
Gain Control	Auto; manual
Noise Reduction	2D NR
Smart IR	Yes
Mirror	Off/On
Privacy Masking	Off/On (8 area, rectangle)
Certifications	
Certifications	CE (EN55032, EN55024, EN50130-4) FCC (CFR 47 FCC Part 15 subpartB, ANSI C63.4-2014) UL (UL60950-1+CAN/CSA C22.2 No.60950-1)
Port	
Video Output	Video output choices of CVI/TVI/AHD/CVBS by one BNC port
Audio Input	One channel built-in mic
Power	
Power Supply	POC (only CVI)/12V±30% DC
Power Consumption	Max 4.9W (12V DC, IR on); POC (AF)
Environment	
Operating Temperature	–40°C to +60°C (–40°F to 140°F); < 95% (non-condensation)
Storage Temperature	–40°C to +60°C (–40°F to 140°F); < 95% (non-condensation)
Protection Grade	IP67
Structure	
Casing	Metal dome+metal cover+plastic decorative ring
Camera Dimensions	φ121.9 mm × 99.1 mm (φ4.8" × 3.9")
Net Weight	0.42Kg (0.9 lb)
Gross Weight	0.62 Kg (1.4 lb)

Ordering Information		
Type	Model	Description
2MP Camera	DH-HAC-HDW1200TMQP-A-POC	2MP HDCVI POC Fixed IR Quick-to-install Eyeball Camera, PAL
	DH-HAC-HDW1200TMQN-A-POC	2MP HDCVI POC Fixed IR Quick-to-install Eyeball Camera, NTSC
Accessories (Optional)	PFA130-E	Water-proof Junction Box
	PFB205W	Wall Mount Bracket
	PFA152-E	Pole Mount Bracket
	PFB220C	Ceiling Mount Bracket of Mini Dome & Eyeball Camera
	PFA109	Mount Adapter
	PFM321D	12V 1A Power Adapter
	PFM904	Integrated Mount Tester

Dimensions (mm[inch])



Accessories

Optional :



PFA130-E
Water-proof Junction Box



PFB205W
Wall Mount Bracket



PFA152-E
Pole Mount Bracket



PFB220C
Ceiling Mount Bracket
of Mini Dome & Eyeball
Camera



PFA109
Mount Adapter



PFM321D
12V 1A Power Adapter



PFM904
Integrated Mount Tester

Junction Mount	Wall Mount	Pole Mount (Vertical)